



MOBILE TRACK SOLUTIONS

TRACK FORWARD

MT-450W CONVERSION KIT

Use for T4R serial number trucks only

Pricing

At factory

Standard Equipment

*This is a conversion kit to allow a Caterpillar 740B to pull MTS construction grade scrapers. This include: MT-35, MT-35XL, & MT-35LGP. This does not include the 740B.

JOYSTICK

- Caterpillar 5 function joy stick
- Wiring harness from joystick to scraper valve
- Preprogrammed Hydraulic Detents

HYDRAULICS

- Caterpillar XT-3ES hose kit
- Retains stock hydraulic specs
- MTS manufactured hose hanger
- Mounts to existing mounts on 740 frame

HITCH PLATE

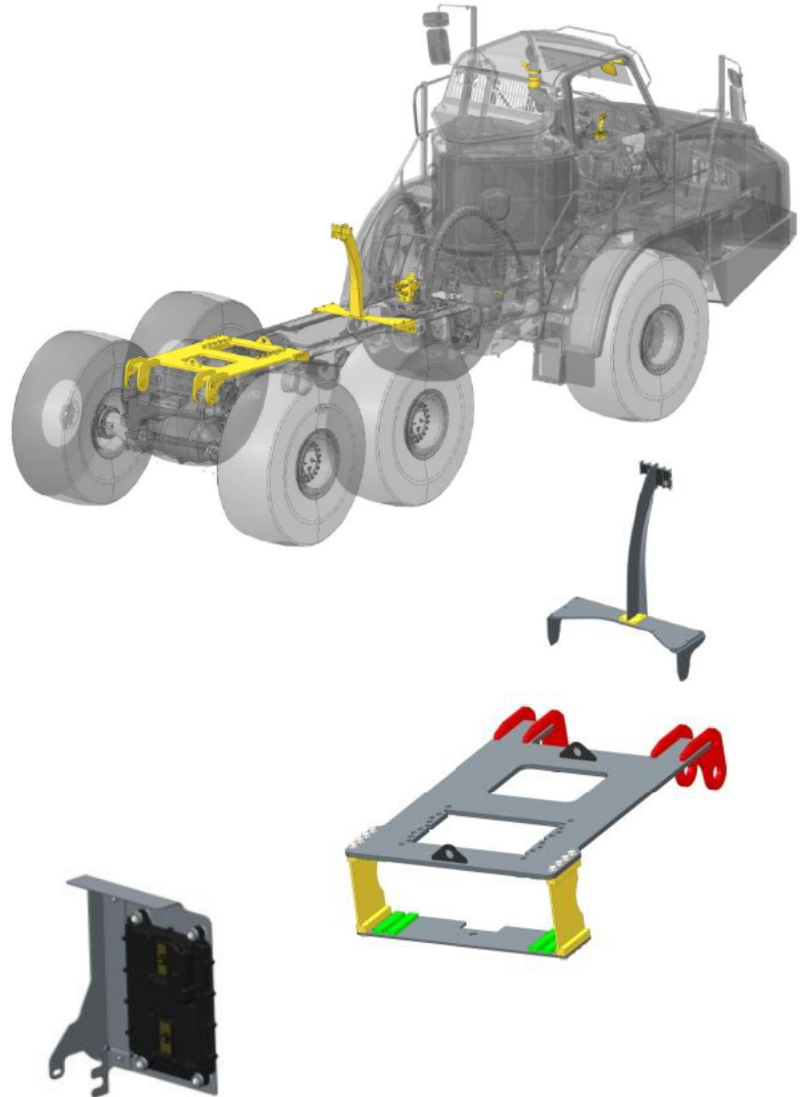
- MTS manufactured hitch adapter plate
- No drilling or welding to fasten adapter
- Manufactured from High Strength Hardox Steel

A4:M1 / CONTROL MODUAL (ECM)

Dual purpose Dump Truck / Scraper Truck modes
Utilizes Caterpillar Composer Software

CAB MIRROR

Interior cab mirror for added visibility



Subject to change without notice
Printed in USA
U.S. DOLLAR CURRENCY

Effective: 23 March 2014
MT-450W conv. Rev.004