



MOBILE TRACK SOLUTIONS

TRACK FORWARD

CAT 745C CONVERSION KIT

Use for TFK serial number trucks only.

Shipping:

FOB (EXW) Elkader, IA

Pricing:

At Factory

**This is a conversion kit to allow a Caterpillar® 745C to pull MTS construction grade scrapers. This kit does not include the 745C truck.*

Standard Equipment:

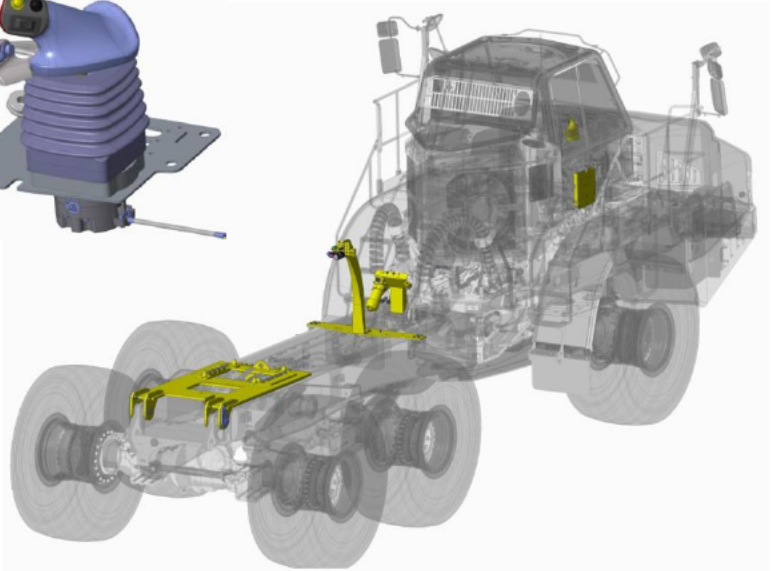
JOYSTICK

- Caterpillar® 627K Scraper Joystick
- Automatic Eject and Return Circuits
- Wiring Harness from Joystick to Scraper Valve
- Preprogrammed Hydraulic Detents



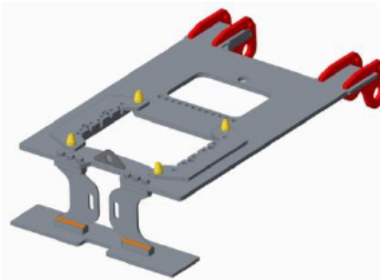
HYDRAULICS

- Caterpillar® XT-3ES™ Hydraulic Hose
- Retains Stock Hydraulic Specifications
- MTS Manufactured Hose Hanger
- Attaches to Existing Mounts on 745C Frame
- MTS Manufactured and CAT Serviceable In-line Return Filter



HITCH PLATE

- MTS Manufactured Hitch Adapter Plate
- No Drilling or Welding to Fasten Adapter
- Manufactured from High Strength Hardox® Steel



A4:M1 / CONTROL MODULE (ECM)

- Dual Purpose Dump Truck and Scraper Truck Modes
- Utilizes Caterpillar® Composer Software

