



## MT-30 & MT-25 Scraper Hitches

Ship Weight:  
Varies

Shipping:  
FOB (EXW) Elkader, IA

Pricing:  
At Factory

### AVAILABLE HITCHES

*(MUST provide make & model, serial number, year, AG or Scraper style, three-point hitch or not, and current hitch plate and drawbar configuration when ordering to ensure correct hitch.)*

*(If your machine is not listed please call MTS for hitch compatibility and custom made hitches, subject to availability.)*

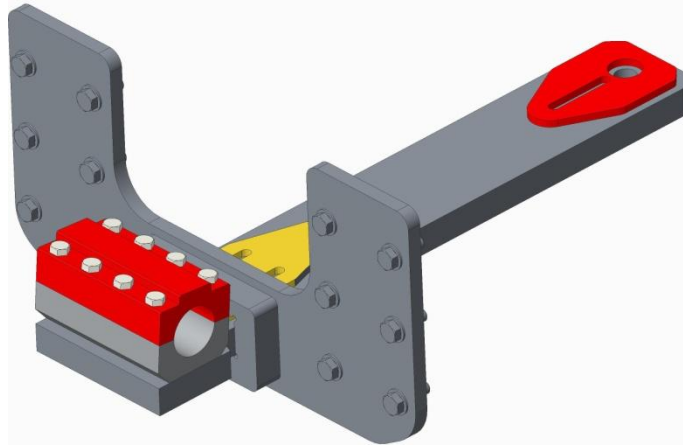
*(Note: All pictures are representative. No pins come with any drawbar.)*

### CAT CHALLENGER TRACTORS

**AS00790**

Cat Challenger Years 1987-2001

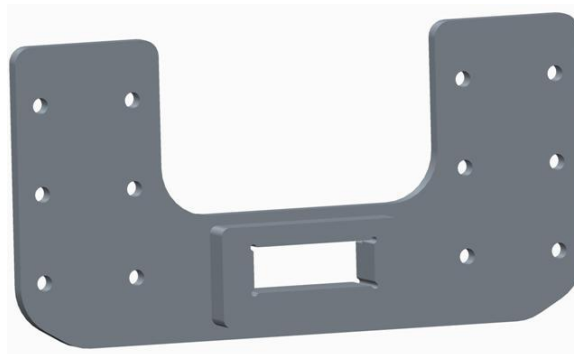
Models: 65-65E, 70C, 75-75E, 85C-85E, & 95E Complete Assembly



**AS00791**

Cat Challenger Years 1987-2001

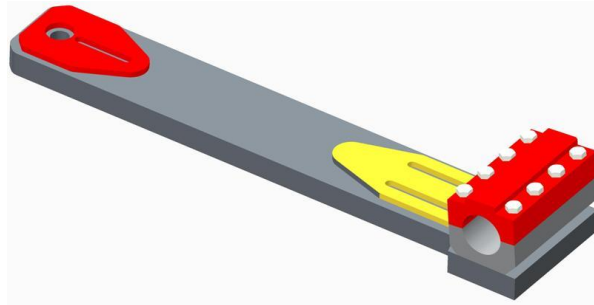
Models: 65-65E, 70C, 75-75E, 85C-85E, & 95E Hitch Plate



**AS00792A**

Cat Challenger Years 1987-2001

Models: 65-65E, 70C, 75-75E, 85C-85E, & 95E Tractor Drawbar



## CATERPILLAR TRACK-TYPE TRACTORS

**AS01419**

Cat D8T Dozer Direct Transmission Mount Only Hitch Plate

**Note:** Only for use with Eject Systems Scrapers (E-17 & E-22)

**(Hardware Included)**

