



MT-30 & MT-25 Scraper Hitches

Ship Weight:
Varies

Shipping:
FOB (EXW) Elkader, IA

Pricing:
At Factory

AVAILABLE HITCHES

(MUST provide make & model, serial number, year, AG or Scraper style, three-point hitch or not, and current hitch plate and drawbar configuration when ordering to ensure correct hitch.)

(If your machine is not listed please call MTS for hitch compatibility and custom made hitches, subject to availability.)

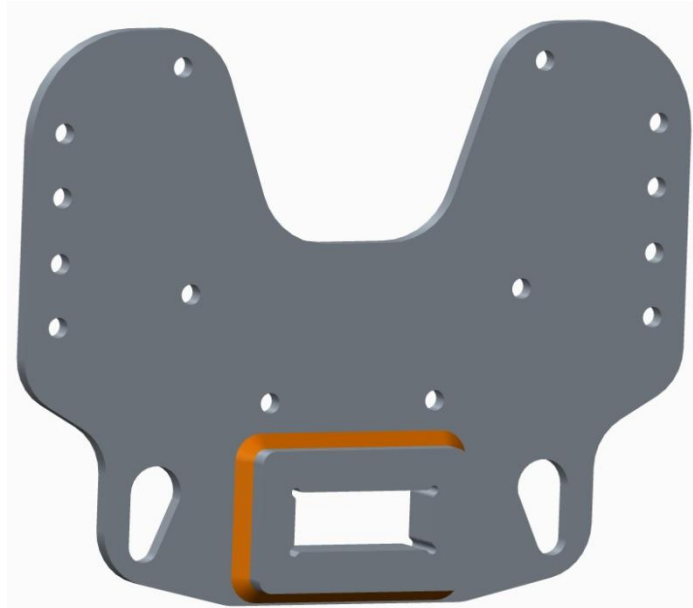
(Note: All pictures are representative. No pins come with any drawbar.)

AGCO CHALLENGER TRACTORS

AS01026 AGCO Challenger MT800 B & C Series Track Tractor Hitch Plate
(Similar to AS01034)

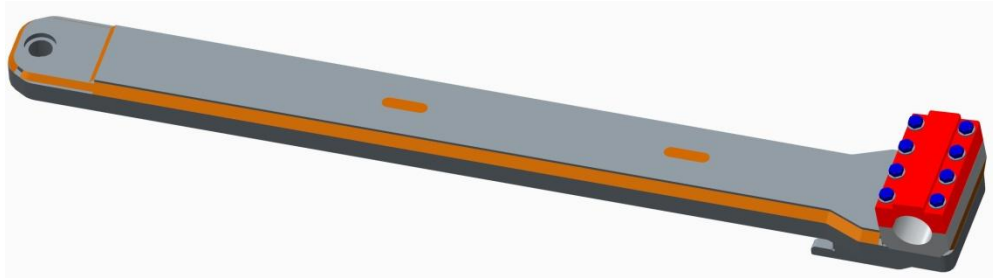
AS01131 AGCO Challenger MT800 B & C Series Track Tractor Drawbar
(Similar to AS01023)

AS01034 AGCO Challenger MT900 B & C Series 4WD Tractor Hitch Plate



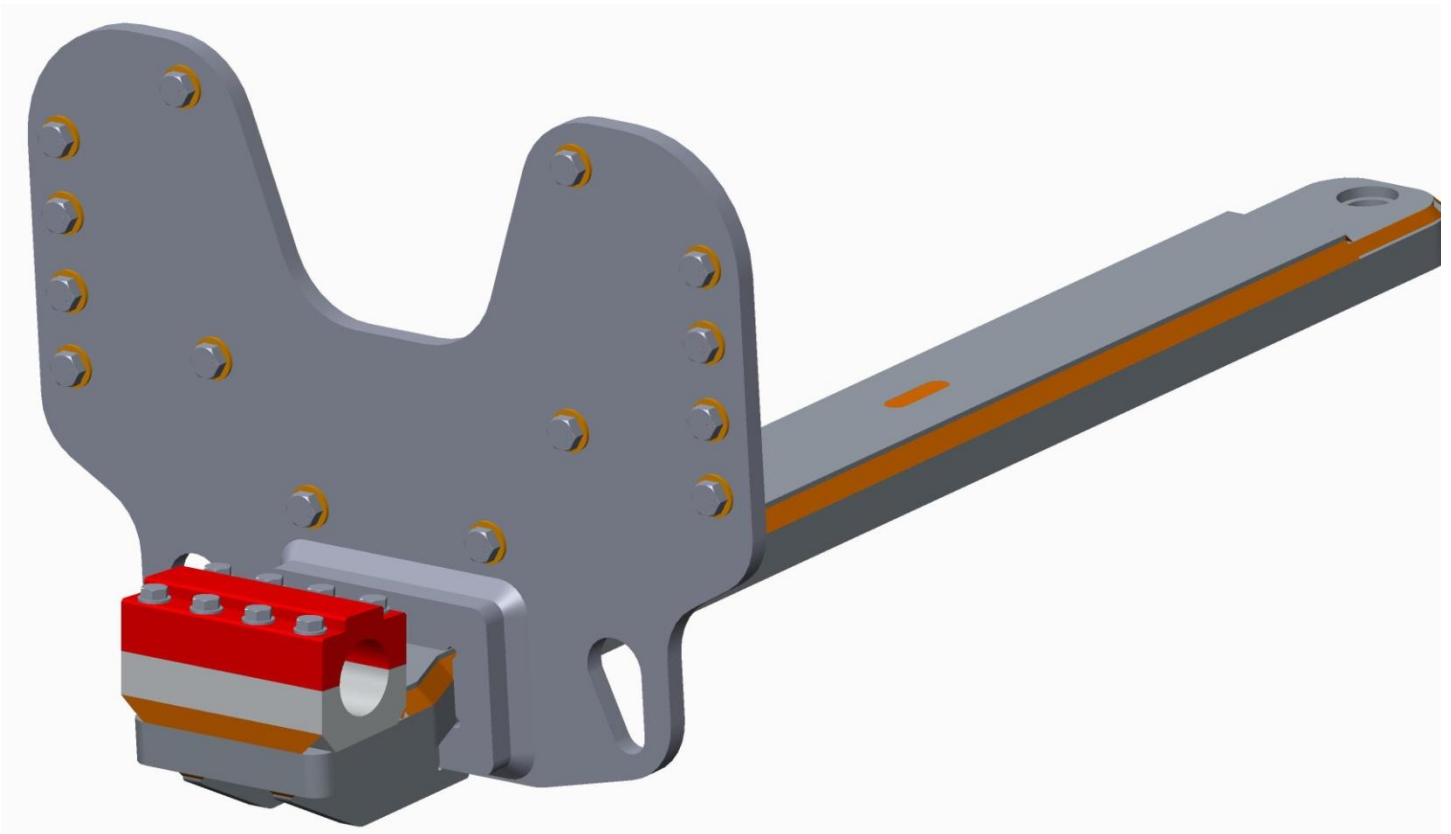
AS01023

AGCO Challenger MT900 B & C Series 4WD Tractor Drawbar

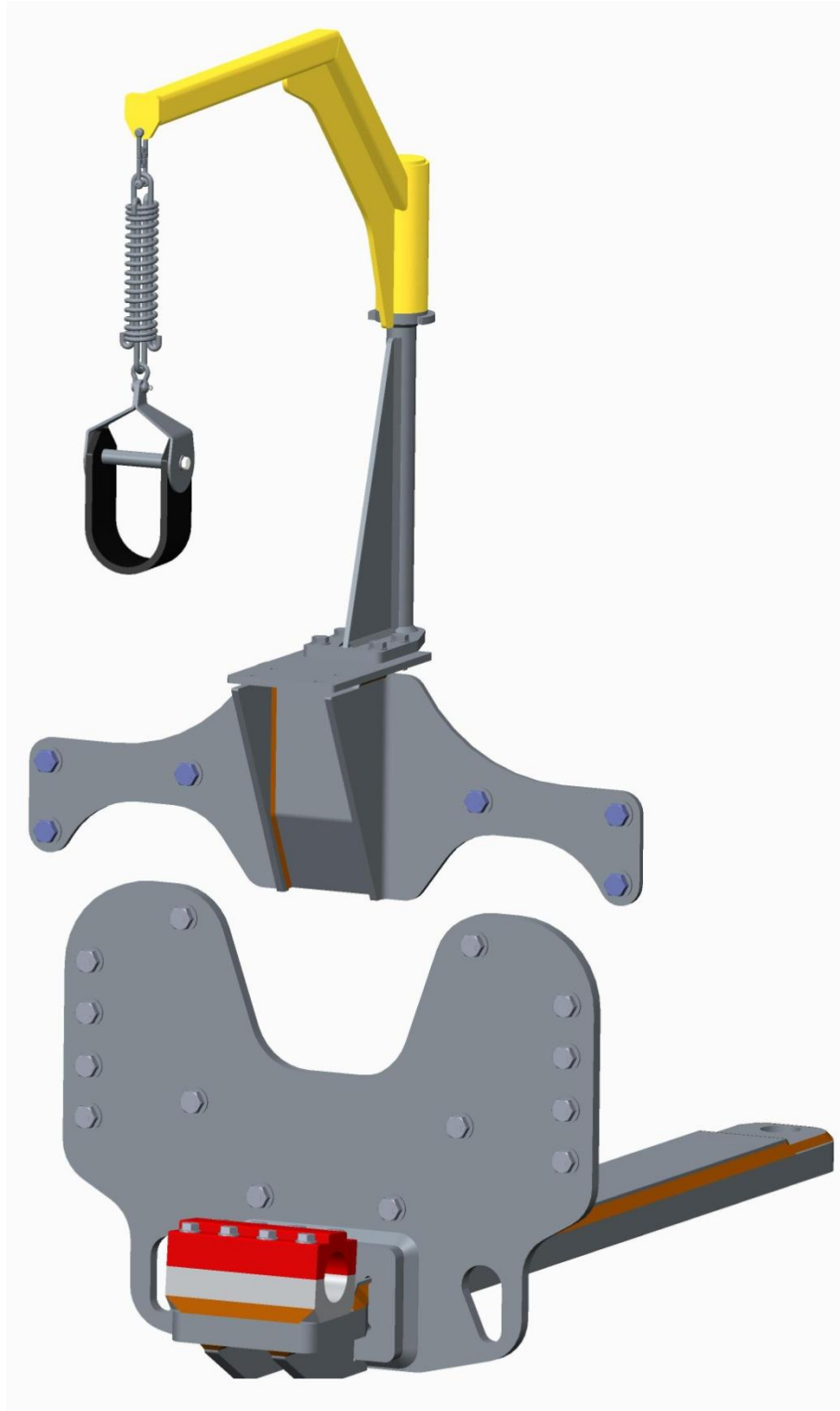


AS01297

AGCO Challenger MT900 B & C Series 4WD Tractor Drawbar & Hitch Plate



AS01285 AGCO Challenger MT900 B & C Series 4WD Tractor Complete Assembly
(This configuration is for use with Eject Systems scrapers Only)



Subject to Change Without Notice
Printed in USA
U.S. DOLLAR CURRENCY
©Mobile Track Solutions, L.L.C.

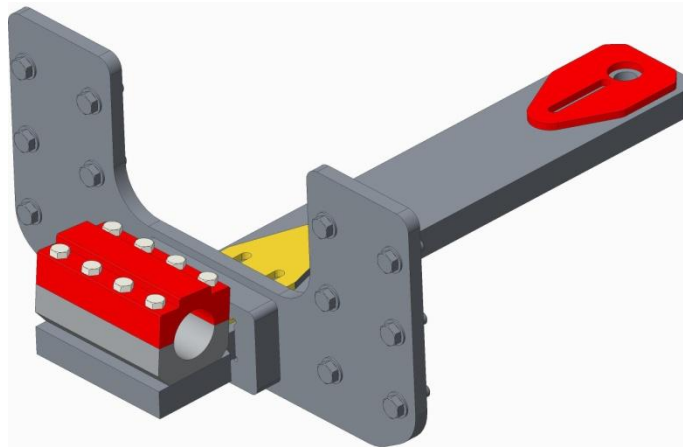
Effective: 20 May 2016
MT-30 & MT-25 Hitches-007

CAT CHALLENGER TRACTORS

AS00790

Cat Challenger Years 1987-2001

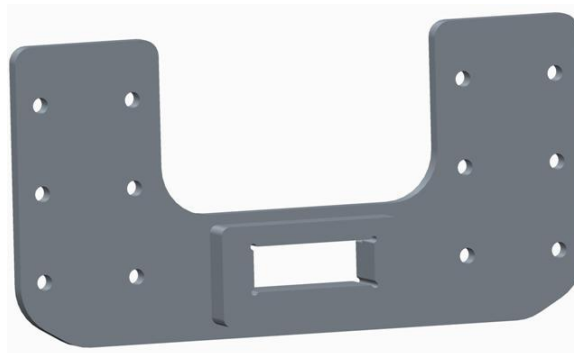
Models: 65-65E, 70C, 75-75E, 85C-85E, & 95E Complete Assembly



AS00791

Cat Challenger Years 1987-2001

Models: 65-65E, 70C, 75-75E, 85C-85E, & 95E Hitch Plate



AS00792A

Cat Challenger Years 1987-2001

Models: 65-65E, 70C, 75-75E, 85C-85E, & 95E Tractor Drawbar

