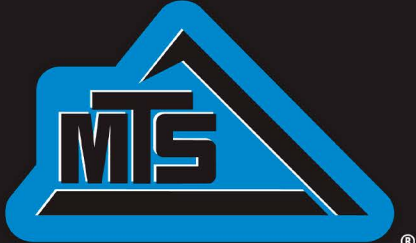


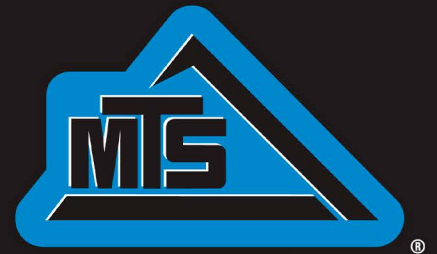
MT-13X38

CONSTRUCTION-GRADE DISK



MT-13X38

SPECIFICATIONS

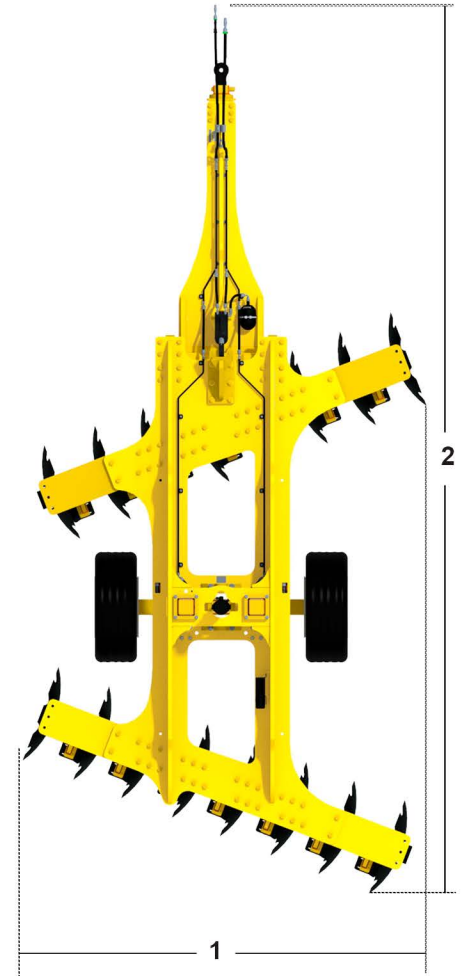
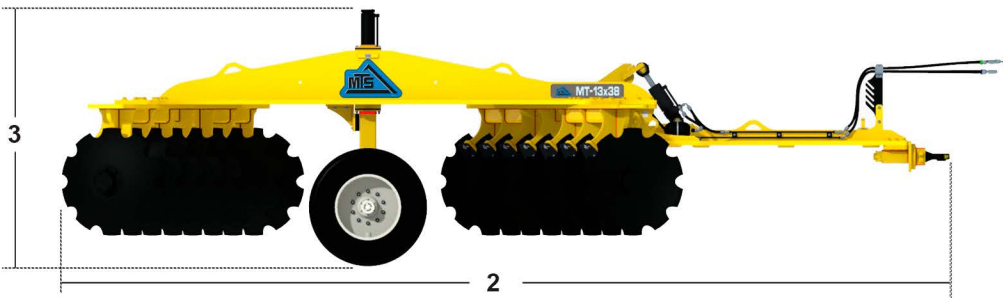


DIMENSIONS

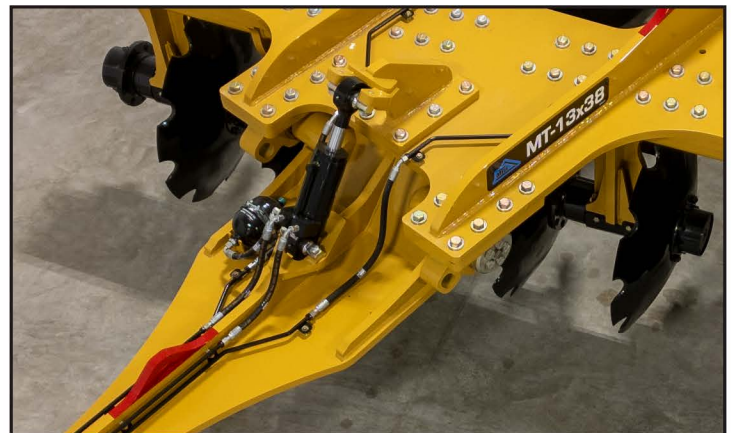
1 Overall Width	153 in	3,886 mm
2 Overall Length	315 in	8,001 mm
3 Height	92 in	2,336 mm
Total Weight	17,800 lbs	7,620 kg
Weight Per Blade	1,113 lbs	505 kg
Minimum Required Pull Unit	300 hp	224 kw
Minimum Hitch Pin Size	1.5 in, 2 in, or 2.75 in	38 mm, 51 mm, or 70 mm
Blade Diameter	38 in	965 mm
Blade Spacing	19 in	483 mm
Minimum Clevis Opening	4.5 in	114 mm

SHIPPING MODIFICATIONS

Width (without outside blades)	143 in	3,632 mm
--------------------------------	--------	----------



Independent disk gangs provide ease of replacing blades in the field.



Innovative tilt cylinder option to control depth of cut.