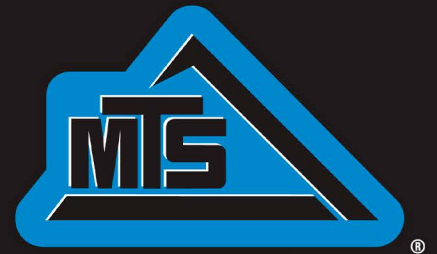


MT-11X32

CONSTRUCTION-GRADE DISK



MOBILE TRACK SOLUTIONS



MT-11X32

SPECIFICATIONS

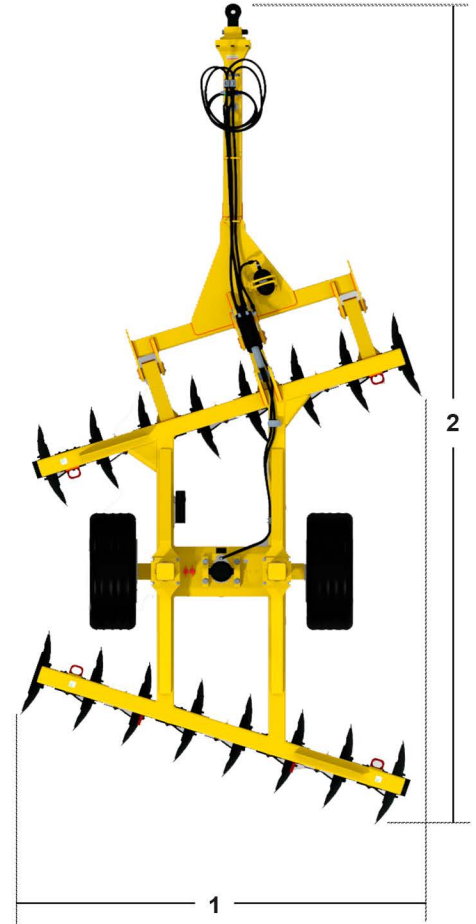
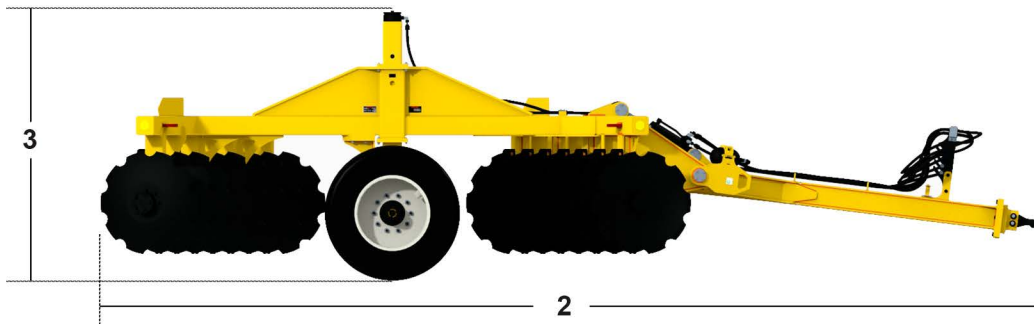


DIMENSIONS

1	Overall Width	137 in	3,479 mm
2	Overall Length	294 in	7,467 mm
3	Height	92 in	2,336 mm
	Total Weight	12,200 lbs	5,533 kg
	Weight Per Blade	804 lbs	365 kg
	Minimum Required Pull Unit	250 hp	224 kw
	Minimum Hitch Pin Size	1.5 in	38 mm
	Blade Diameter	32 in	813 mm
	Blade Spacing	19 in	483 mm
	Minimum Clevis Opening	4.5 in	114 mm

SHIPPING MODIFICATIONS

Width (without outside blades)	130 in	3,302 mm
--------------------------------	--------	----------



Independent disk gangs provide ease of replacing blades in the field.



Innovative tilt cylinder option to control depth of cut.